

# MDA 60

## DIFFERENTIAL PRESSURE INDICATOR



**20 bar**  
operating pressure

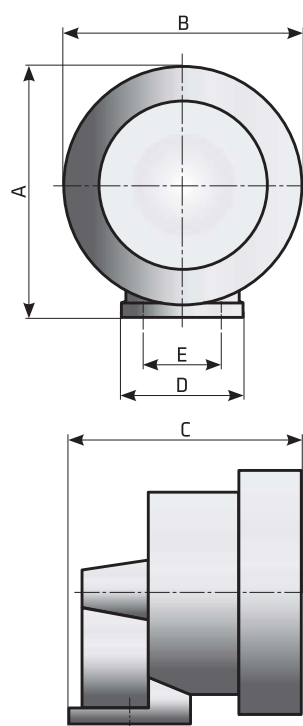
**1,5 to 65°C**  
operating temperature range

### DESCRIPTION

Pressure drop indicator MDA 60 is designed for accurate indication of pressure drop across the filter element in compressed air system. For any other technical gas please contact producer or your local distributor.

MDA 60 is optimized for installation on the head of the filter housing.

MDA 60 can be used in variety of applications. For applications not listed please contact producer or your local distributor.



TECHNICAL DATA	
operating pressure range	0 - 20 bar (0 - 290 psi)
operating temperature range	1,5 - 65 °C (35 - 149 °F)
mass	0,36 kg
measuring range	2 bar (29 psi)
DIMENSIONS	
A	84 mm
B	80 mm
C	78 mm
D	ø40 mm
E	24 mm

### APPLICATIONS

- Automotive
- Electronics
- Food & beverage
- Chemical
- Petrochemical
- Plastics
- Paint
- General industrial application